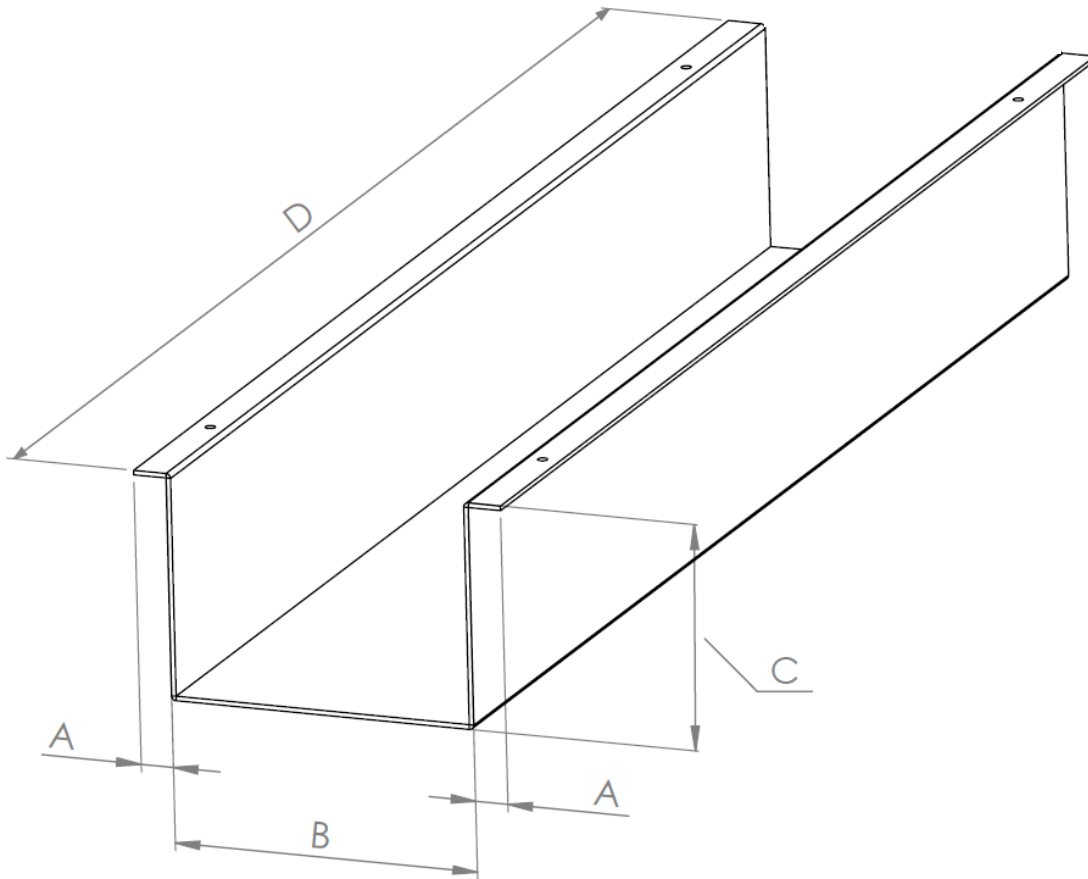


Sheet Metal Duct Order Sheet

Company Name:
 Contact:
 Email Address:

Order Number:
 Date Required:
 Mobile:



Material Type

- Galvanized 316 Stainless Steel

Material Thickness

- 1.6 mm 3.0 mm

Finish

- Un-Coated Powder Coated Colour

Ends

- Open Ends Closed End Comment.....

Specifications

- Flange Width (A)**mm
Internal Width (B)mm
Depth (C)mm
Length (D)mm